

## **TECHNICAL SPECIFICATION**

### **Fixed industrial plugs HT type**

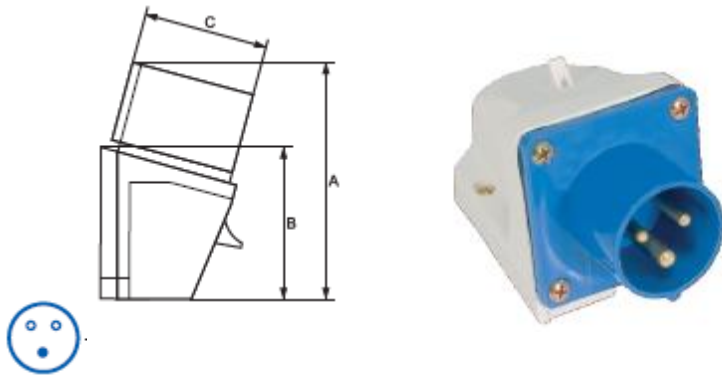
#### **Description:**

Made of special high quality plastic with alloys against aging at sun light exposing and for increasing the mechanical strength. They are designed in accordance with standard EN 60309 and provide reliable connection and high protection level against electrical current. They provide IP protection not less than IP 44/67. They are designed for surface or flush mounting, movable or fixed type.

#### **Technical data:**

- Rated voltage: 500V
- Rated short circuit current: according to the mounted protection in the boards
- Impulse voltage wear resistance: 8kV
- Mechanical wear resistance: 3000 cycles
- IP code: IP 44
- Plastic: UV rays wear resistance
- Ambient temperature: -5 to +65°C
- Altitude: up to 2000m
- Plugs and sockets: 6h

## Variants and dimensions:



Model	In (A)	Poles	Un (V)	Dimensions (mm) A / C	IP code	Packing / Box	Catalogue number
HT-513	16	1P+N+E	230	230	44	2 / 10 / 60	37513
HT-523	32	1P+N+E	230	230	44	2 / 10 / 60	37523



Model	In (A)	Poles	Un (V)	Dimensions (mm) A / C	IP code	Packing / Box	Catalogue number
HT 514	16	3P+E	400	121 / 76	44	2 / 10 / 60	37514
HT 524	32	3P+E	400	131 / 83	44	2 / 10 / 60	37524



Model	In (A)	Poles	Un (V)	Dimensions (mm) A / C	IP code	Packing / Box	Catalogue number
HT 515	16	3P+N+E	400	123 / 79	44	2 / 10 / 60	37515
HT 525	32	3P+N+E	400	132 / 84	44	2 / 10 / 60	37525



Model	In (A)	Poles	Un (V)	Dimensions (mm) A / B / C	IP code	Packing / Box	Catalogue number
HT-015	16	3P+N+E	400	129 / 92 / 62	44	2 / 10 / 60	37015
HT-025	32	3P+N+E	400	149 / 97 / 70	44	2 / 10 / 60	37025
HT-035	63	3P+N+E	400	230 / 109 / 36	44	2 / 10	37035
HT-045	125	3P+N+E	400	295 / 124 / 50	44	2 / 10	37045

**Standards:**

EN 60309-1

EN 60309-2

